



Donaghys Ram Harness

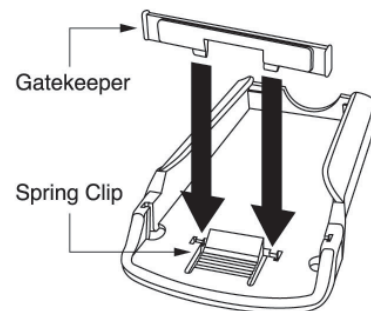
Donaghys Ram Harnesses are a well recognised market leader. Manufactured in New Zealand and specifically designed for ease of use in the field, the harness reduces chafing while maintaining maximum crayon security with the patented dual locking system.

- Clip lock tab designed for rapid crayon change
- Designed to reduce chafing
- Durable webbing harness
- Withstands all weather conditions and remains pliable
- Dual security crayon holder
- Straps with adjustable lengths
- Non-slip buckles



Directions for Use

- Clear directions and diagrams for use are found on the packaging
- Always ensure that the shoulder straps are evenly tensioned to centre crayon holder on rams brisket
- Harness should be checked regularly particularly on rams with less than a months wool



The unique dual locking system for the ultimate in crayon security.

CODE	PRODUCT	UNIT	QUANTITY PER UNIT	BARCODE
AST0004	Ram Harness – Complete	Each	1	9400579512163

For more information on the Donaghys range, visit the Donaghys website.